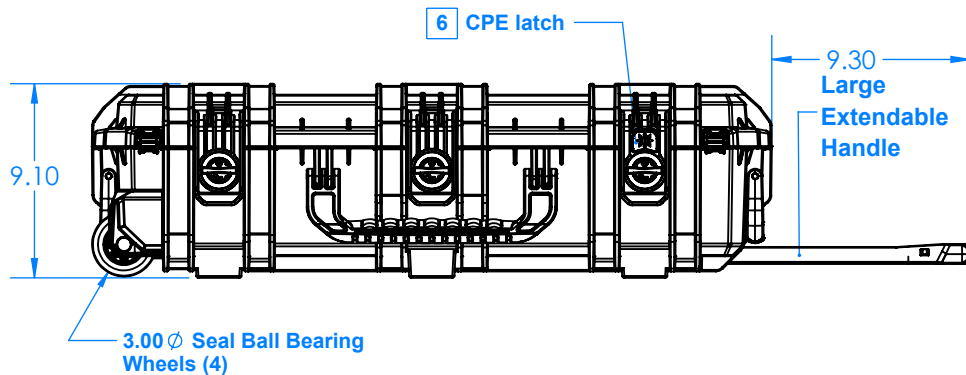
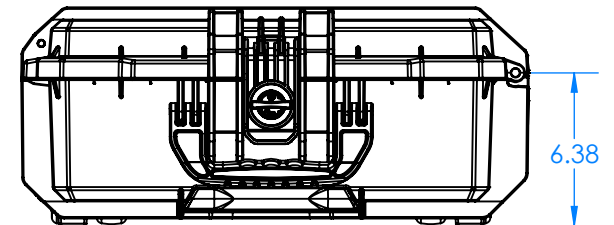
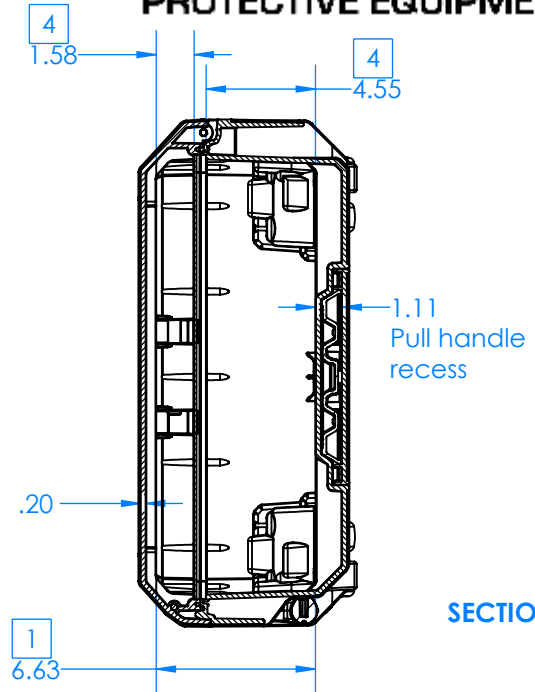
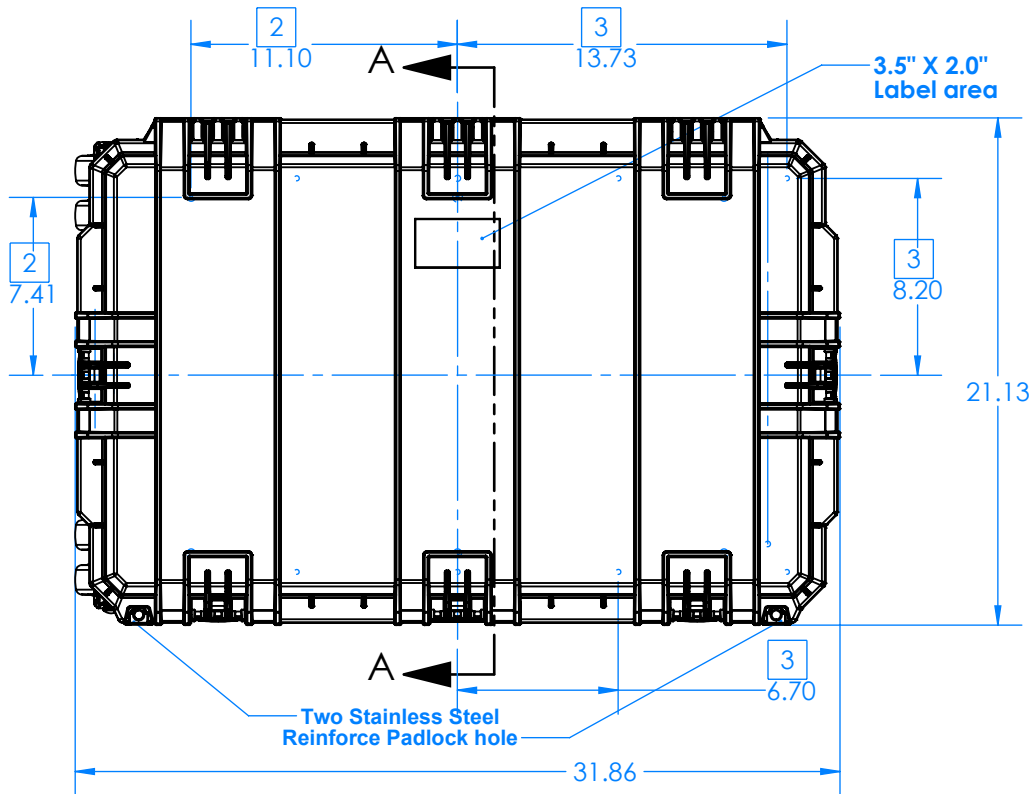
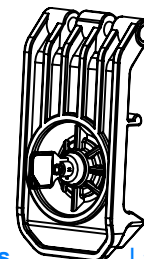


SE1231

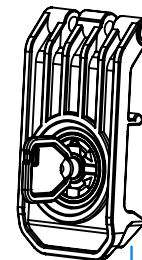
SEAHORSE PROTECTIVE EQUIPMENT CASES



5 Optional latches must be specified at time of order



Latch with metal lock



Latch with plastic lock

NOTES:

- 1) Max. usable inside dimensions are:
28 13/16" X 17 1/2" X 6 5/8"
- 2) Bosses on Top use a #10 self tapping screw.
- 3) Bosses on bottom use a 1/4" self tapping screw.
- 4) Dimensions to bottom of panel flange.
- 5) Optional latches specify:
SE1231ML with Metal Lock.
SE1231PL with Plastic Lock.
- 6) CPE = Continues Pressure Equalization latch.