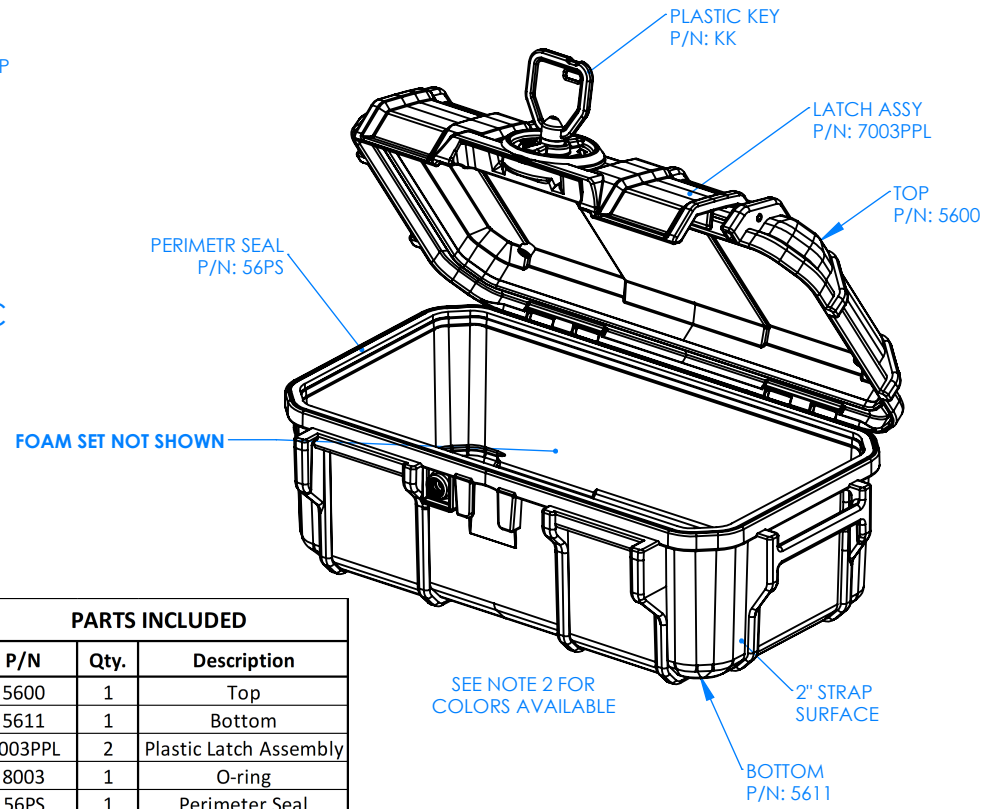
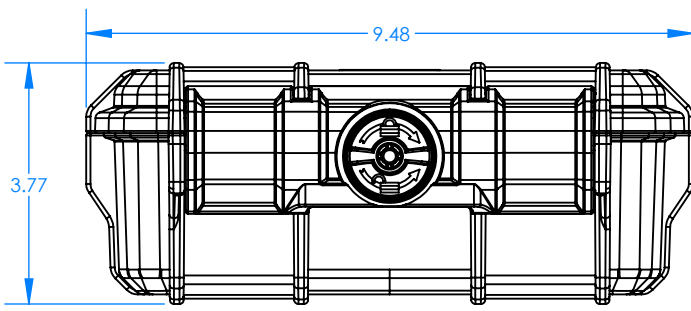
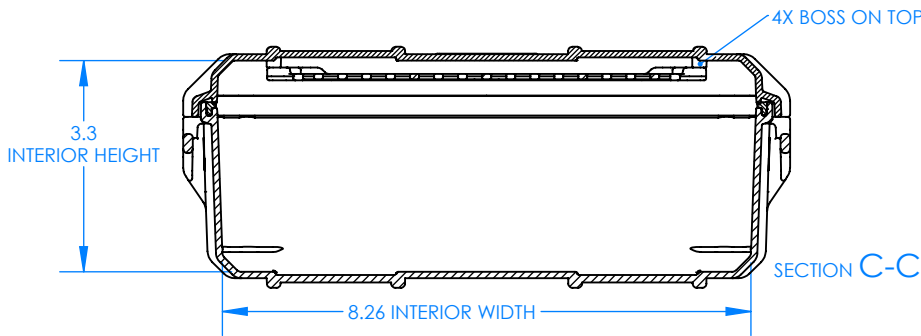
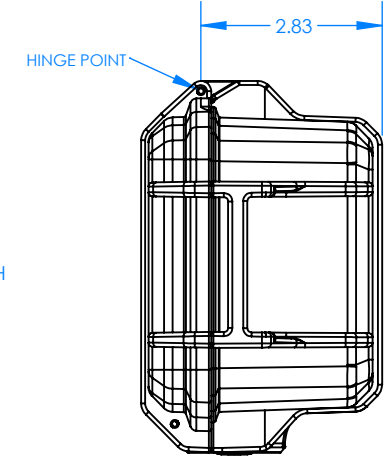
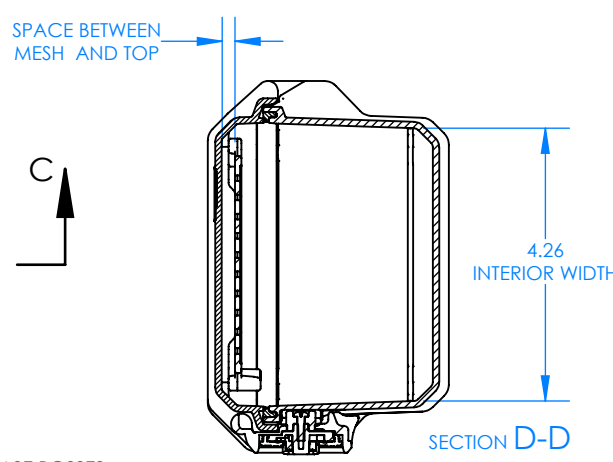
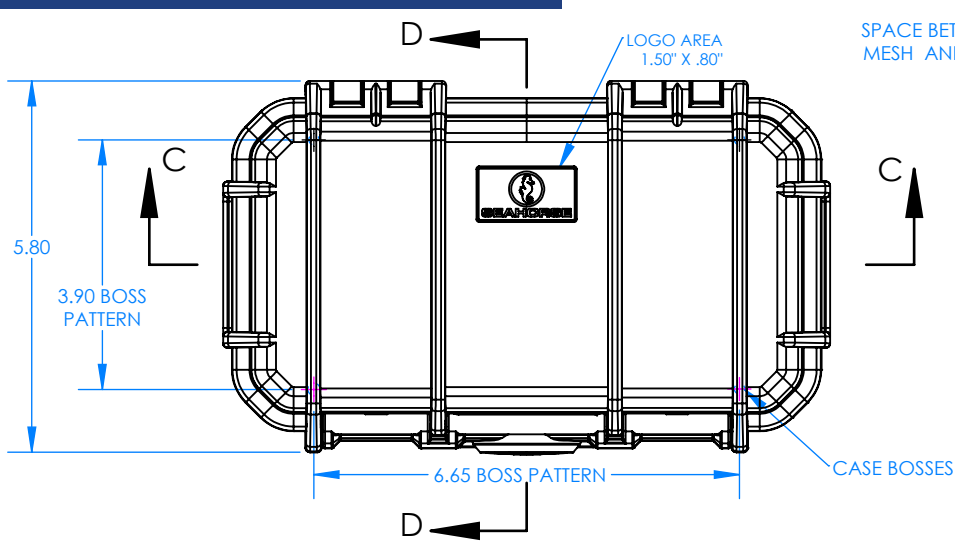


57F Micro Case



- NOTES:**
- 1) Material: Polycarbonate
 - 2) Colors available: clear, black, orange, blue, red, green, yellow.
 - 3) Approximate maximum usable inside dimensions are: 8.2" X 4.2" X 3.3"

PARTS INCLUDED		
P/N	Qty.	Description
5600	1	Top
5611	1	Bottom
7003PPL	2	Plastic Latch Assembly
8003	1	O-ring
56PS	1	Perimeter Seal
KK	1	Plastic Key Set
9058	1	57 Foam Set

SEE NOTE 2 FOR COLORS AVAILABLE