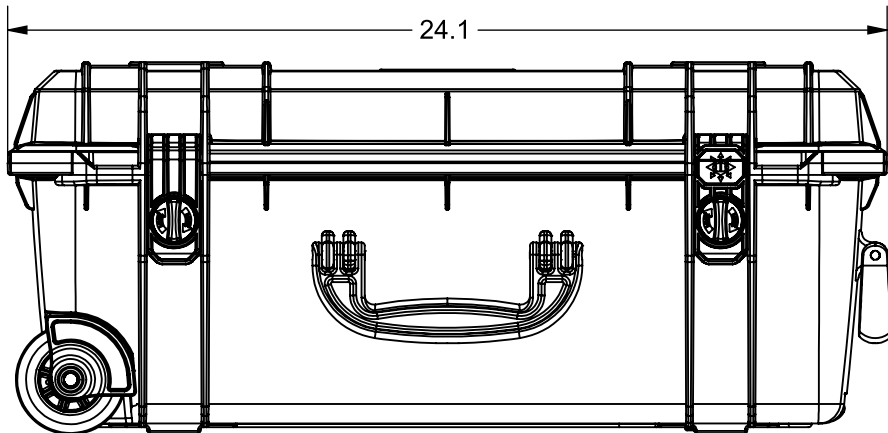
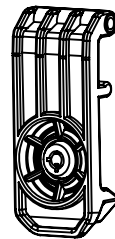


SECTION A-A

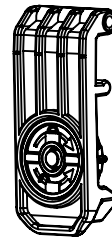


latch with metal lock



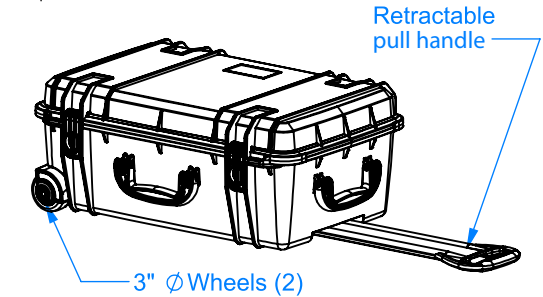
MLL

latch with plastic lock



PLL

Optional latches must be specified at time of order.
See note 2



NOTES:

- 1) Max. usable inside dimensions are:
22 7/8" X 13 9/16" X 8 1/2" (9 5/16" bottom of boss)
(22.1" X 13.5" X 8.5")
- 2) Optional Metal Lock Latches (p/n 920ML) and Plastic Lock Latches (p/n 920PL)
- 3) Bosses on bottom use a 1/4 self tapping screw.