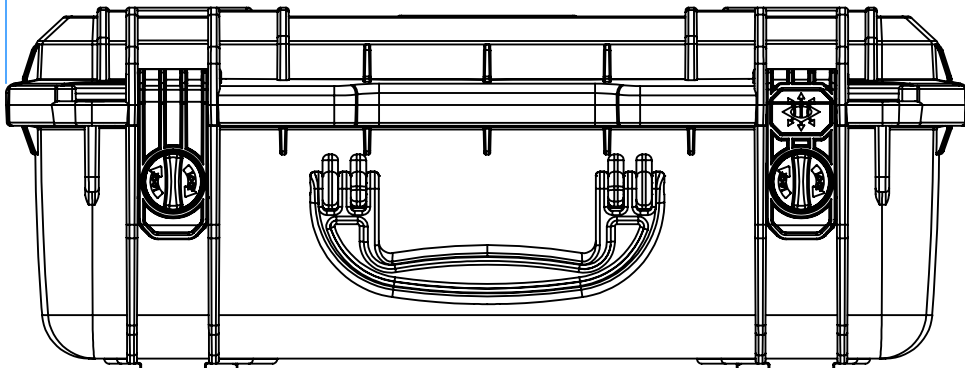
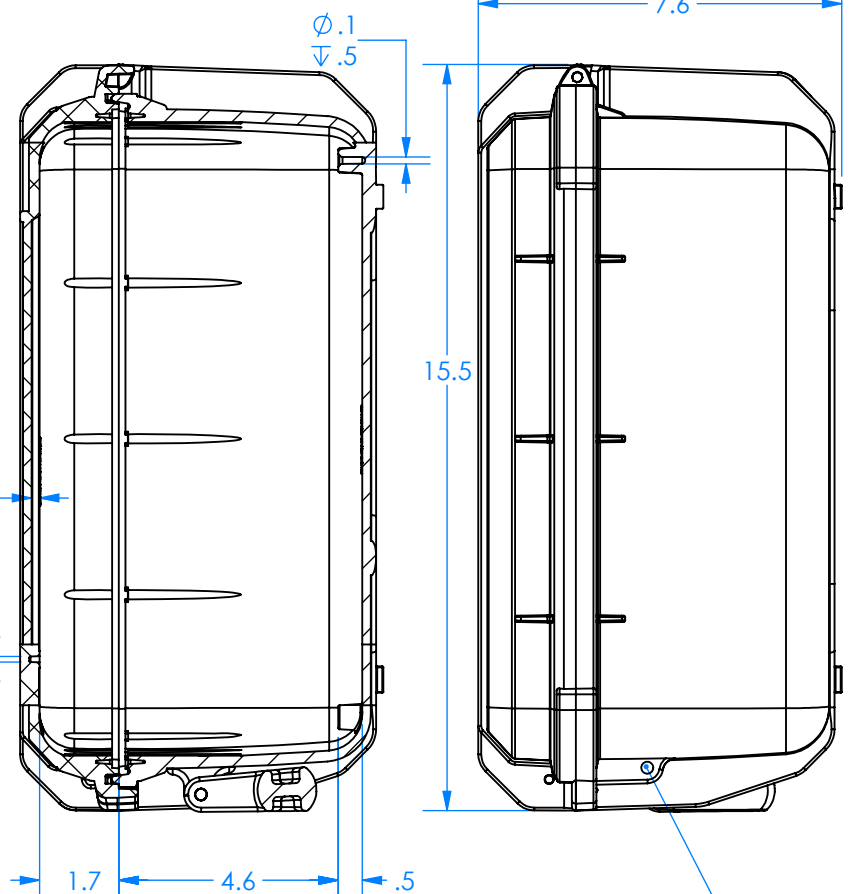


**SECTION A-A**



Padlock Holes

Holes for shoulder strap. PN 8704 (not included)

latch with metal lock

latch with plastic lock

MLL

PLL



Optional latches may be specified at time of order. See note 2

**NOTES:**

- 1) Max. usable inside dimensions are:  
18 5/16" X 13 3/16" X 6 1/4"  
(6 5/8" bottom of boss) (18.3" X 13.2" X 6.7")
- 2) Case part numbers with Optional Latches:  
Metal Lock Latches p/n 720ML  
Plastic Lock Latches p/n 720PL