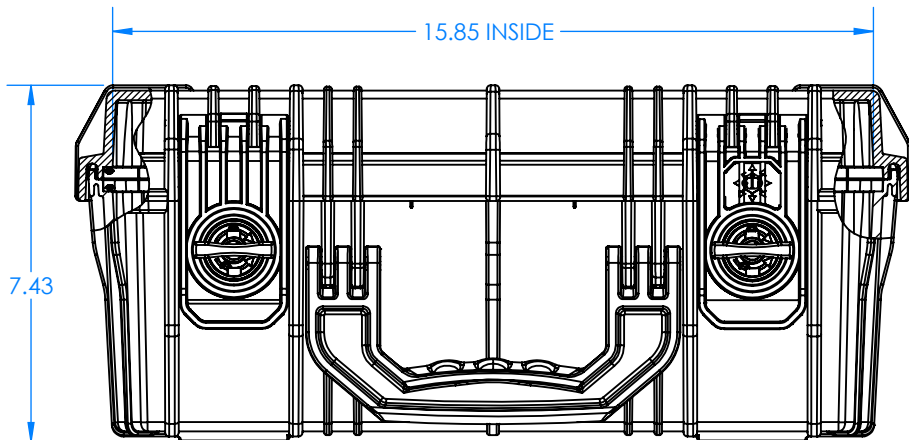
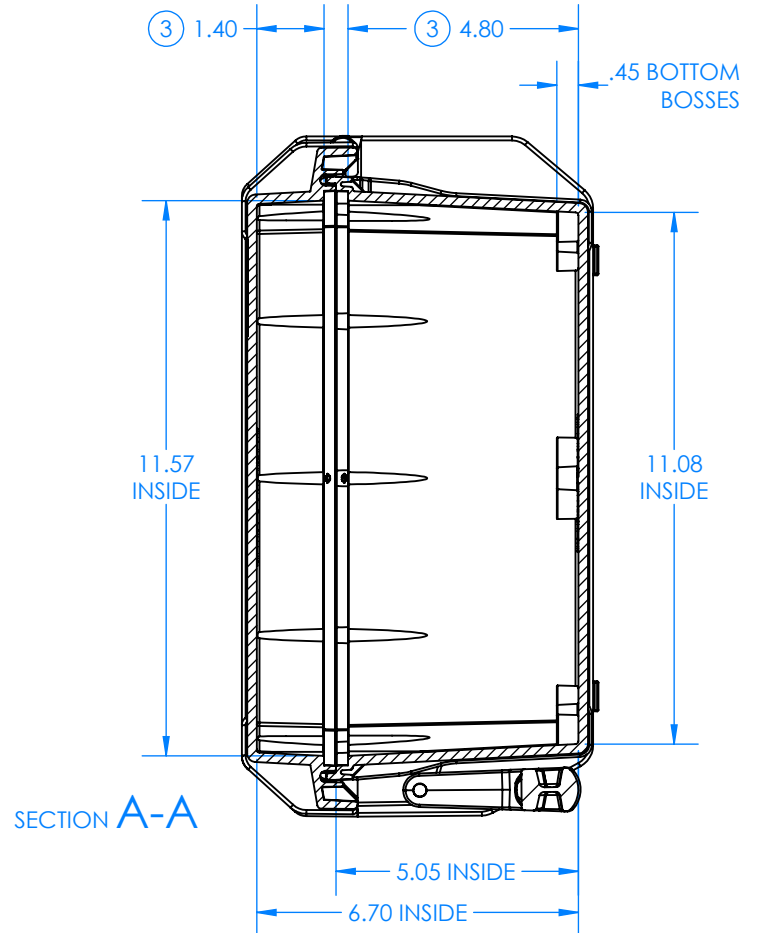
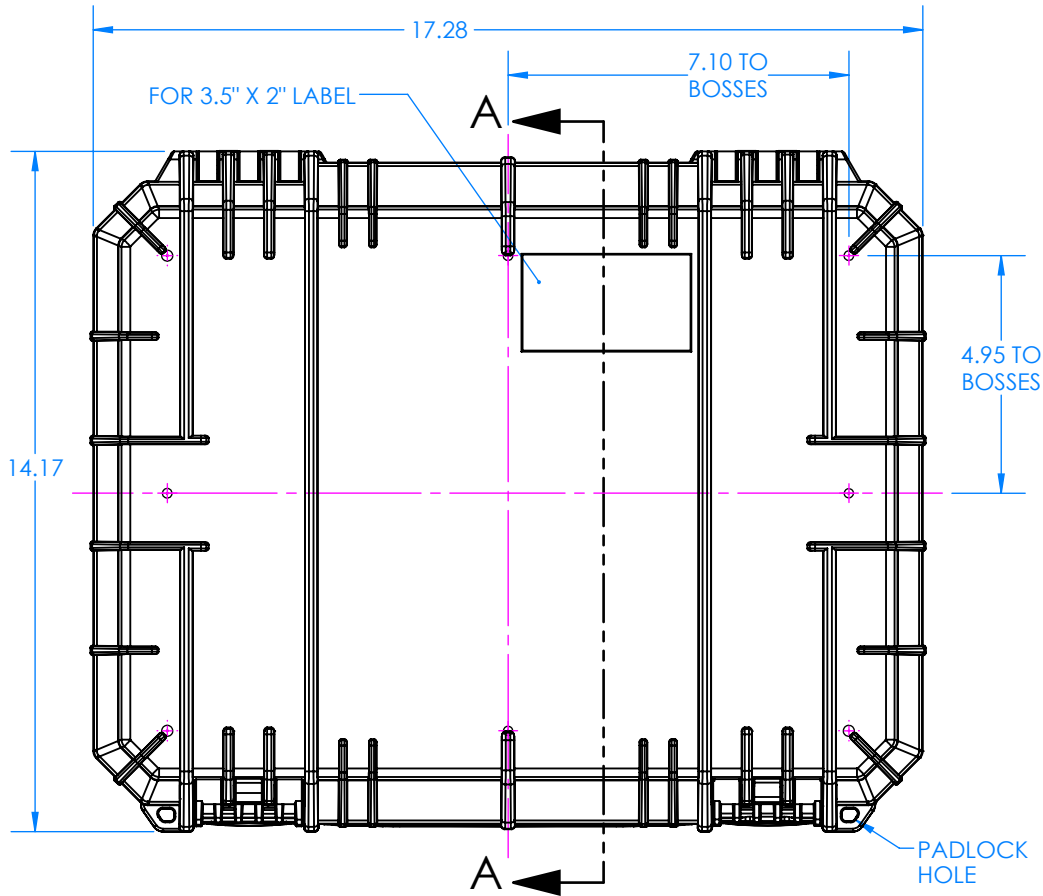
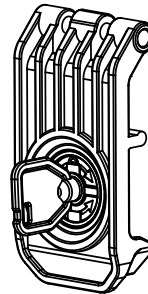


630/630HPS



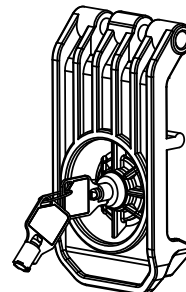
SE630PL

Optional latch with plastic lock. See note 4



SE630ML

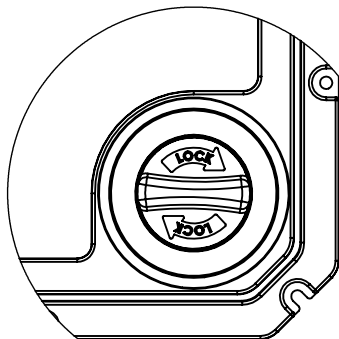
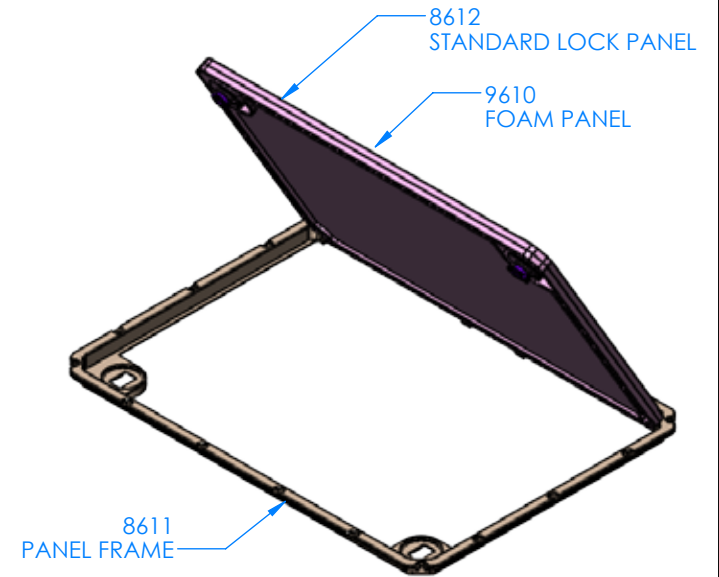
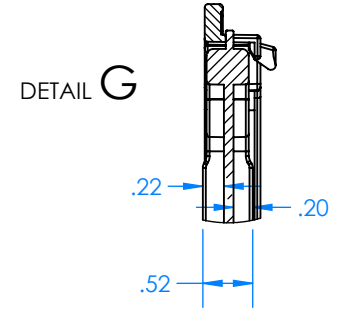
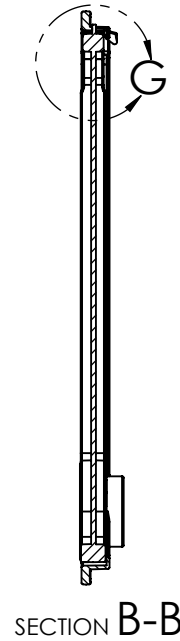
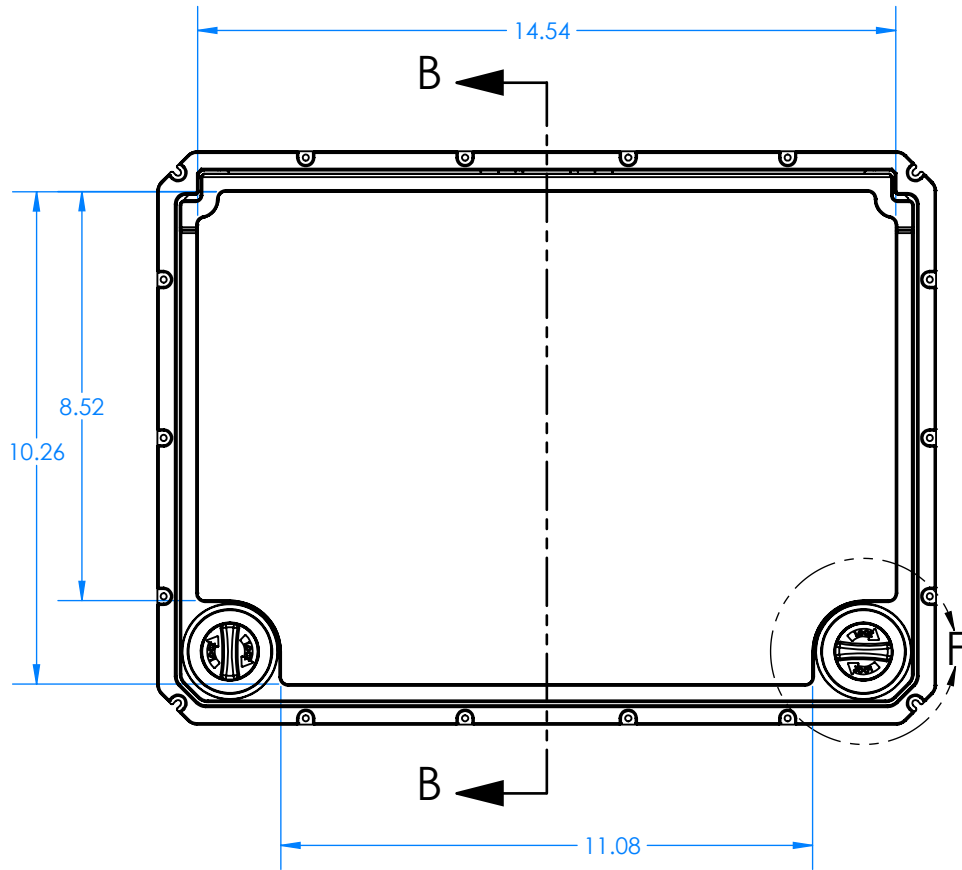
Optional latch with metal lock. See note 2



NOTES:

- 1) Maximum usable inside dimensions are:
15 13/16" X 11 5/8" X 6 11/16" (6 1/4" top of boss)
Dimensions are approximate.
- 2) Bosses on bottom use a 1/4" self tapping screw.
- 3) Dimensions to bottom of panel flange.
- 4) Optional latches available.

8610 Standard Lock Panel System



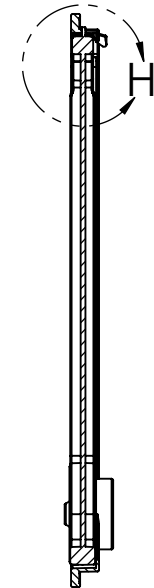
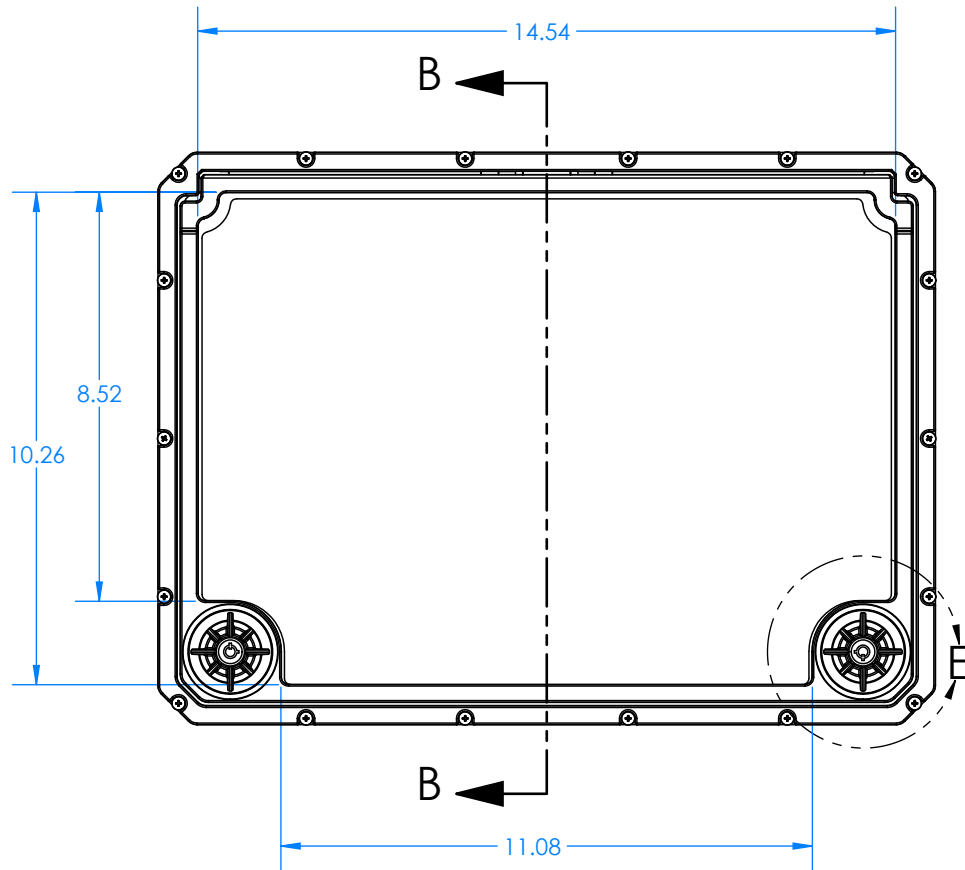
STANDARD LOCK
DETAIL F

Optional Metal Lock Panel System available. See page 3.
Optional foam available. Call to inquire.

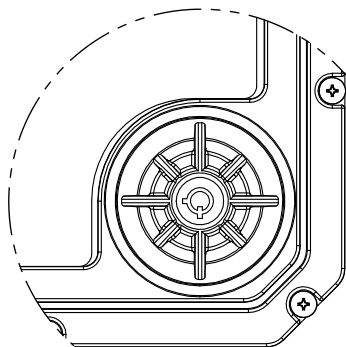
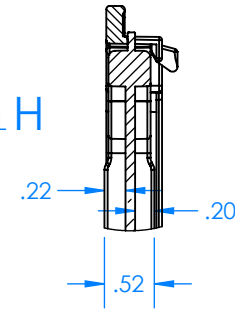
NOTES:

- 1) Maximum usable dimensions are: 14.54" X 10.26".
- 2) Panel systems is mountable on the top or bottom of the case.
- 3) Mounting hardware (screws) are included.

8610ML Metal Lock Panel System

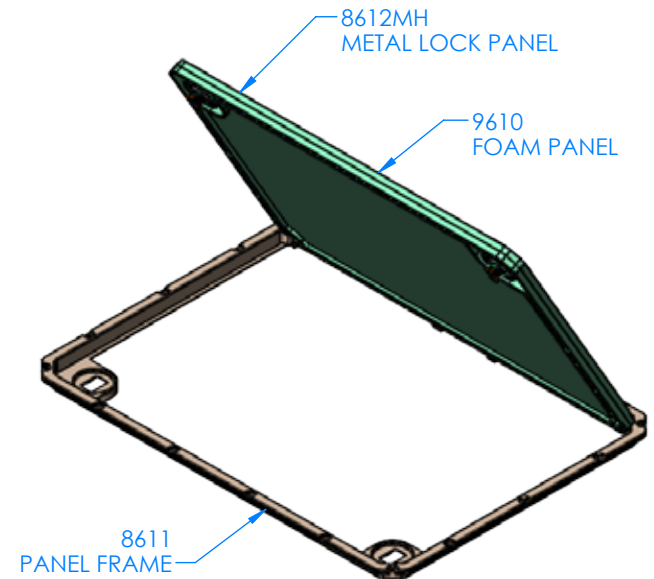


DETAIL H



METAL LOCK
DETAIL E

Optional Standard Lock Panel System available. See page 2.
Optional foam available. Call to inquire.



NOTES:

- 1) Maximum usable dimensions are: 14.54" X 10.26".
- 2) Panel systems is mountable on the top or bottom of the case.
- 3) Mounting hardware (screws) are included.

630 Top/Bottom Panel Dimensions

