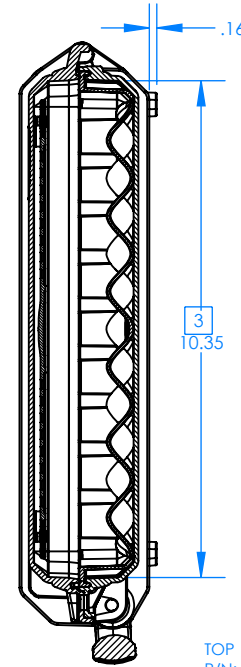
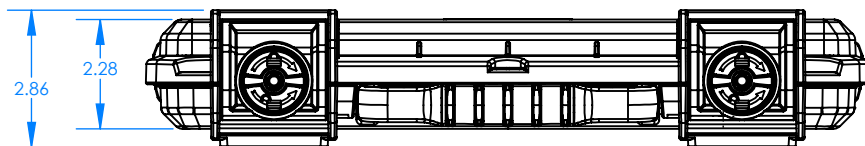
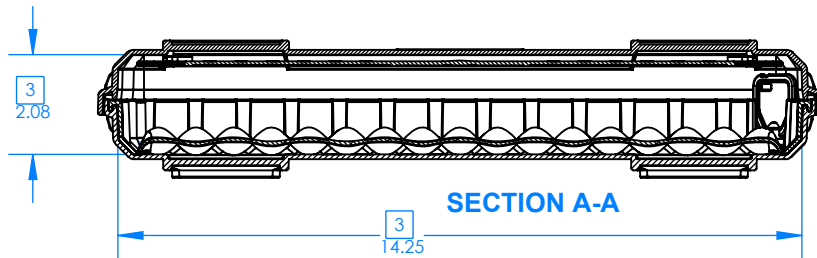
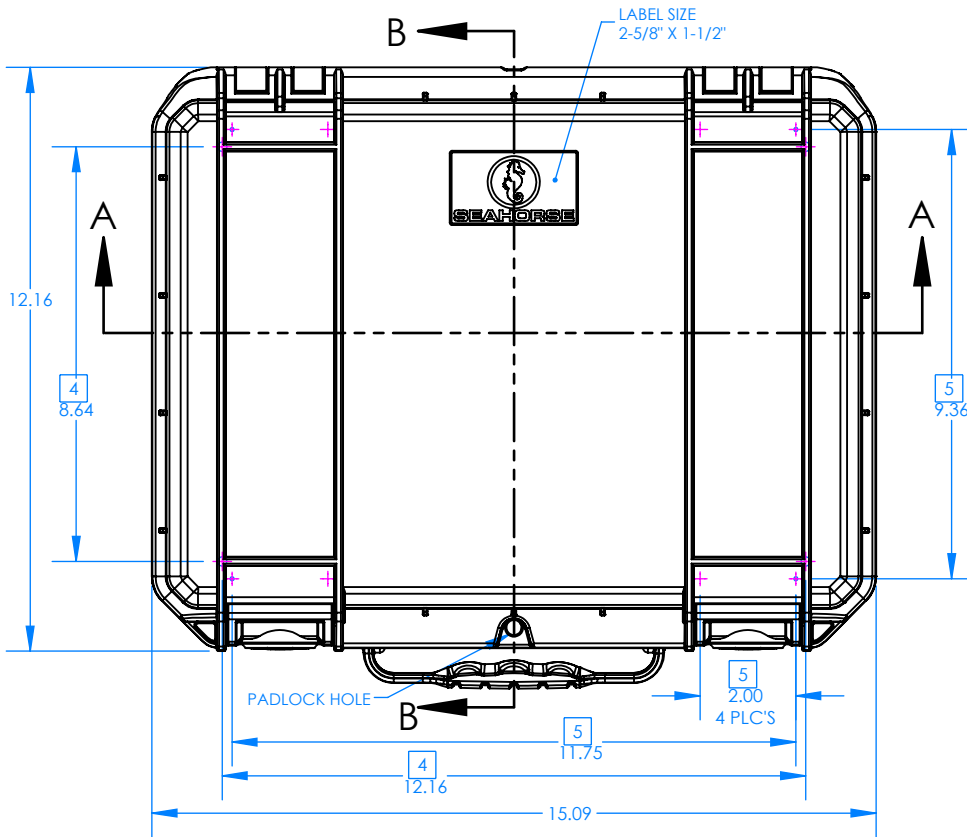


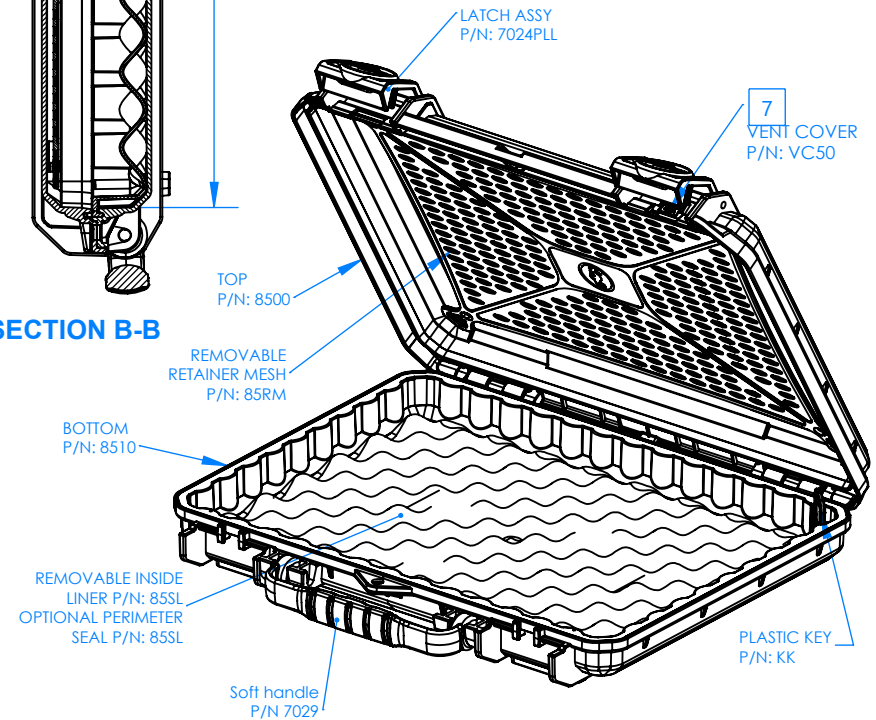
SE85 Laptop Case

SEAHORSE

PROTECTIVE EQUIPMENT CASES



SECTION B-B



PARTS INCLUDED		
P/N	Qty.	Description
8500	1	Top
8510	1	Bottom
7029	1	Soft Handle
7024PPL	2	Plastic Latch Assembly
85RM	1	Retainer Mesh
5506	4	Boss Cap
6002	4	#2 X 3/8" screw
85RM	1	Inside Seal Liner
VC50	1	Vent Cover
PK	1	Plastic Key Set

NOTES:

- 1) Material: Polycarbonate
- 2) Colors available: black, orange, blue, red, green, yellow and clear.
- 3) Max. usable inside dimensions (empty) are: 14.25" X 10.35" X 2.08"
- 4) Bosses on top use a #2 self tapping screw.
- 5) Bosses on bottom use a #4 self tapping screw.
- 6) Dimensions to bottom of panel flange.
- 7) CPE = Continues Pressure Equalization.

85PS Perimeter Seal

SEAHORSE
PROTECTIVE EQUIPMENT CASES

