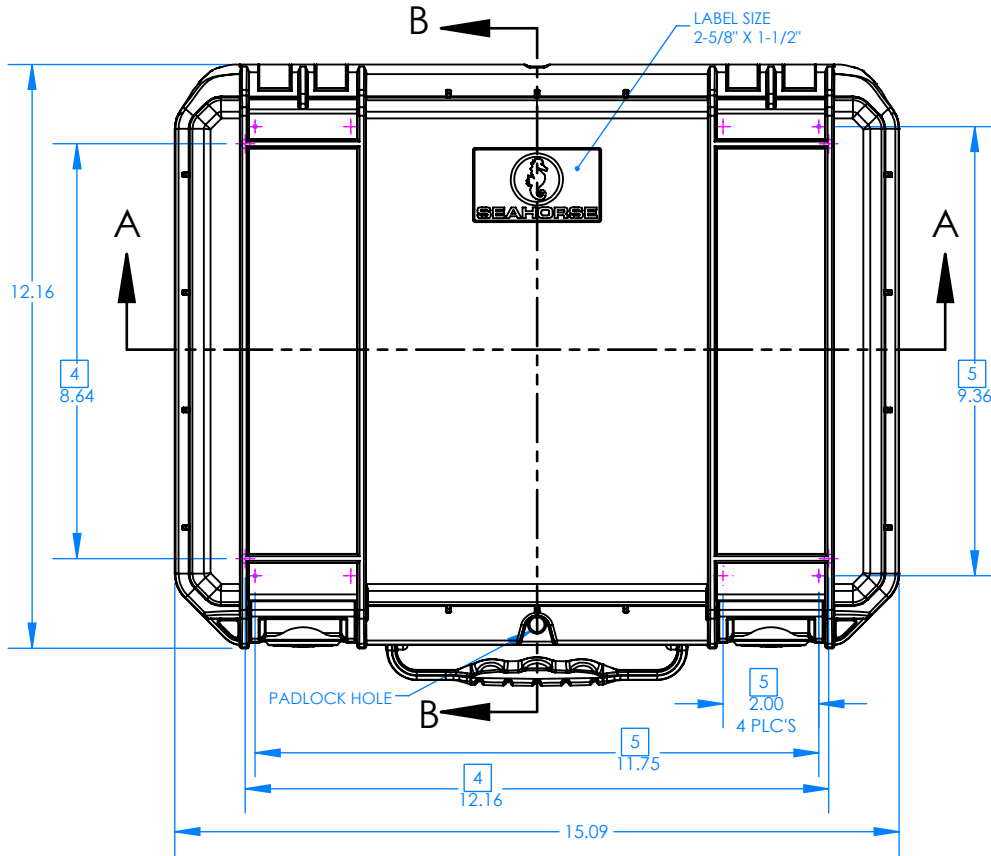


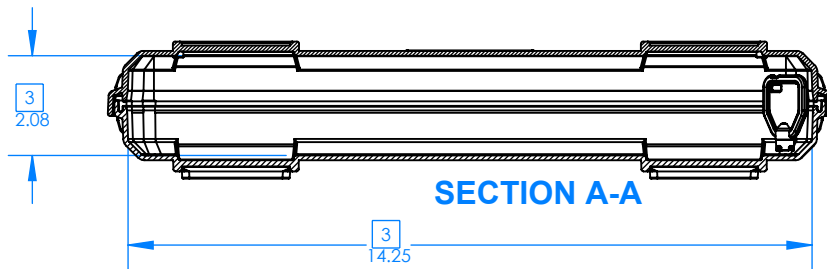
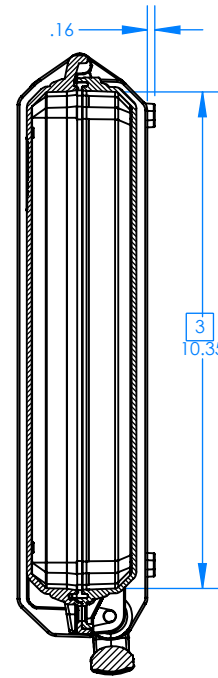
SE850EM Case

SEAHORSE

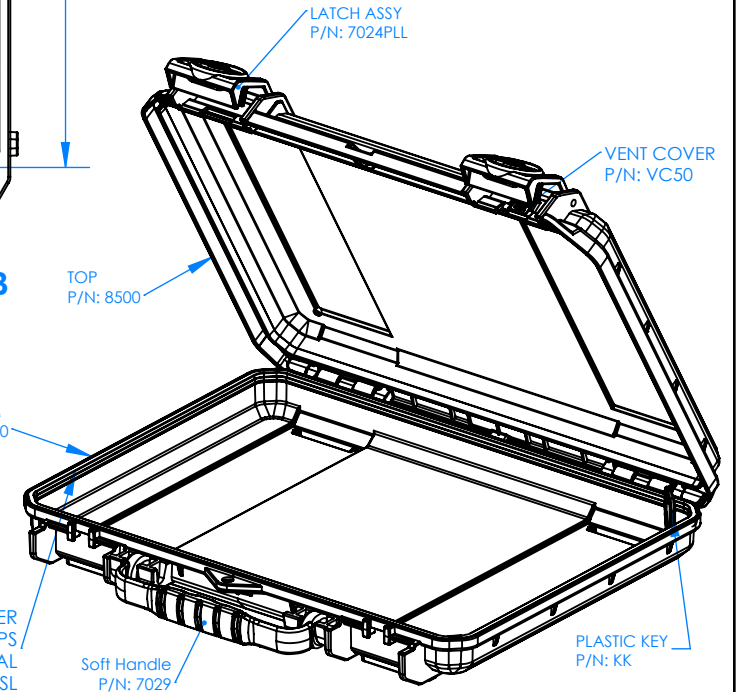
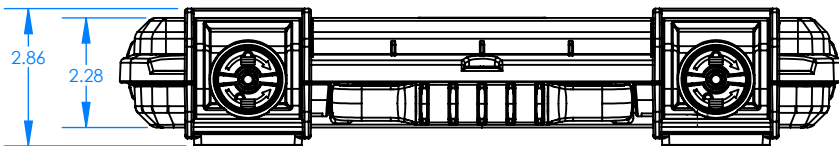
PROTECTIVE EQUIPMENT CASES



SECTION B-B



SECTION A-A



PARTS INCLUDED

P/N	Qty.	Description
8500	1	Top
8510	1	Bottom
7029	1	Soft Handle
7024PLL	2	Plastic Latch Assembly
85PS	1	Perimeter Seal
VC50	1	Vent Cover
KK	1	Plastic Key Set

NOTES:

- 1) Material: Polycarbonate
- 2) Colors available: black, orange, blue, red, green, yellow and clear.
- 3) Max. usable inside dimensions (empty) are:
14.25" X 10.35" X 2.08"
- 4) Bosses on top use a #2 self tapping screw.
- 5) Bosses on bottom use a #4 self tapping screw.
- 6) Dimensions to bottom of panel flange.
- 7) CPE = Continues Pressure Equalization.