

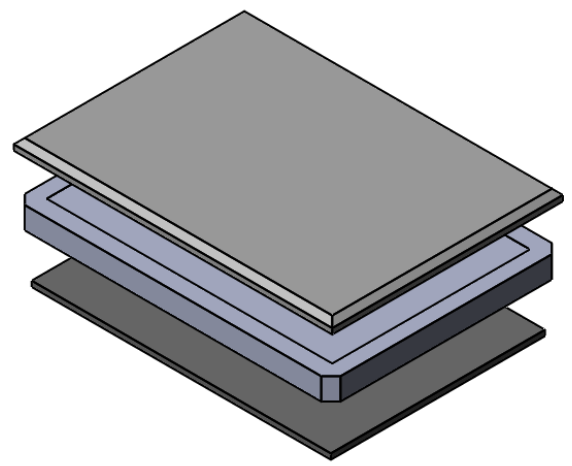
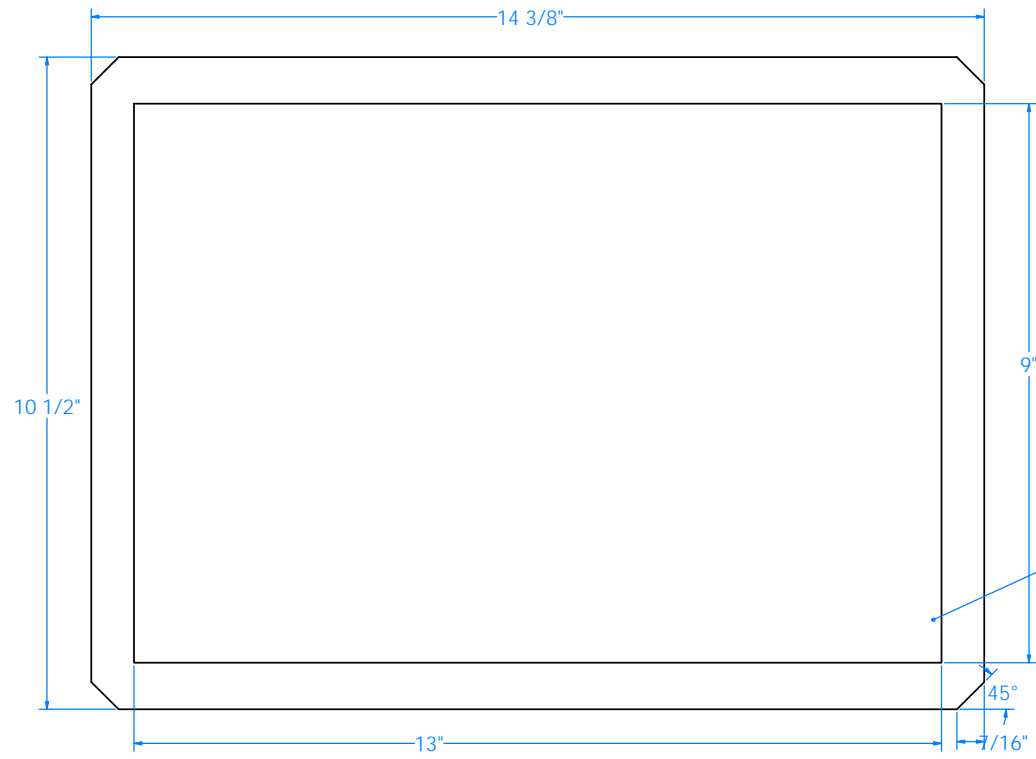
- NOTES:**
- 1) Material: Polycarbonate
 - 2) Colors available: Black, orange, blue, red, green, yellow and clear.
 - 3) Maximum usable inside dimensions are:
14.15" X 10.25" X 2.10".
 - 4) See next sheet for foam details.

PARTS INCLUDED		
P/N	Qty.	Description
8500	1	Top
8510	1	Bottom
7024PPL	2	Plastic Latch Assembly
85PS	1	Perimeter Seal
VC50	1	Vent Cover
KK	1	Plastic Key Set
9085	1	85 Foam Set

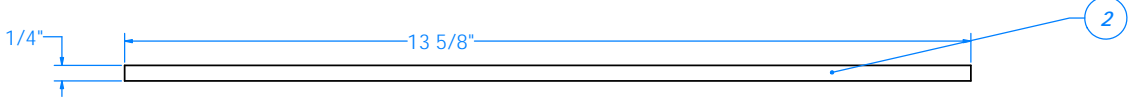
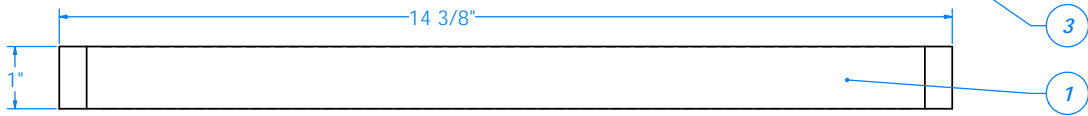
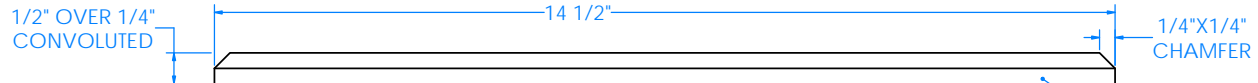
BLUE SHOWN
SEE NOTE 2 FOR
COLORS AVAILABLE

ALL INFORMATION CONTAINED IN THIS DRAWING IS THE SOLE PROPERTY OF SEAHORSE AND IS UNCLASSIFIED. IT IS TO BE KEPT UNCLASSIFIED AND UNCONTROLLED UNLESS INDICATED OTHERWISE.

REV	DESCRIPTION	DATE
1	REVISED	01/14/18



0.5" X 0.5" CENTERED MATRIX



DETAIL	DESCRIPTION	SIZE	MATERIAL	QTY.
3	B5 CONVOLUTED FOAM	14 1/2" X 10 1/2" X 1/2" 1/4"	R#4232 1.4 ELE	1
2	B5 FILLER BOTTOM FOAM	13 5/8" X 9 3/4" X 1/4"	R#4232 1.4 ELE	1
1	B5 PICK & PLUCK FOAM	14 3/8" X 10 1/2" X 1"	R#4232 1.4 ELE	1

DESIGN: CHANGING: UNCLASSIFIED	DATE: 01/14/18	
ENGINEER: J. V. J. J.	DATE: 01/14/18	
TOLERANCES: ALL DIMENSIONS ARE IN INCHES FINISH: ALL DIMENSIONS ARE IN INCHES UNLESS OTHERWISE SPECIFIED		B5 STANDARD FOAM SET 9085 1