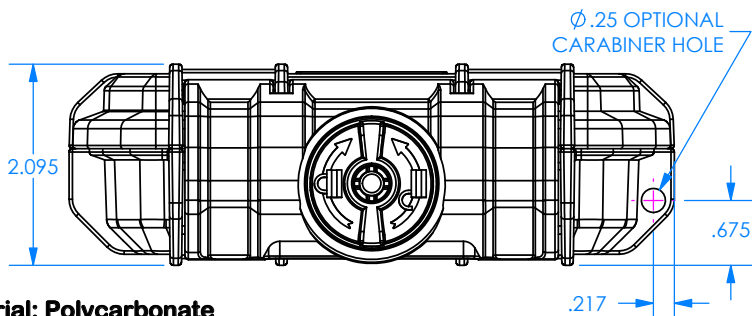
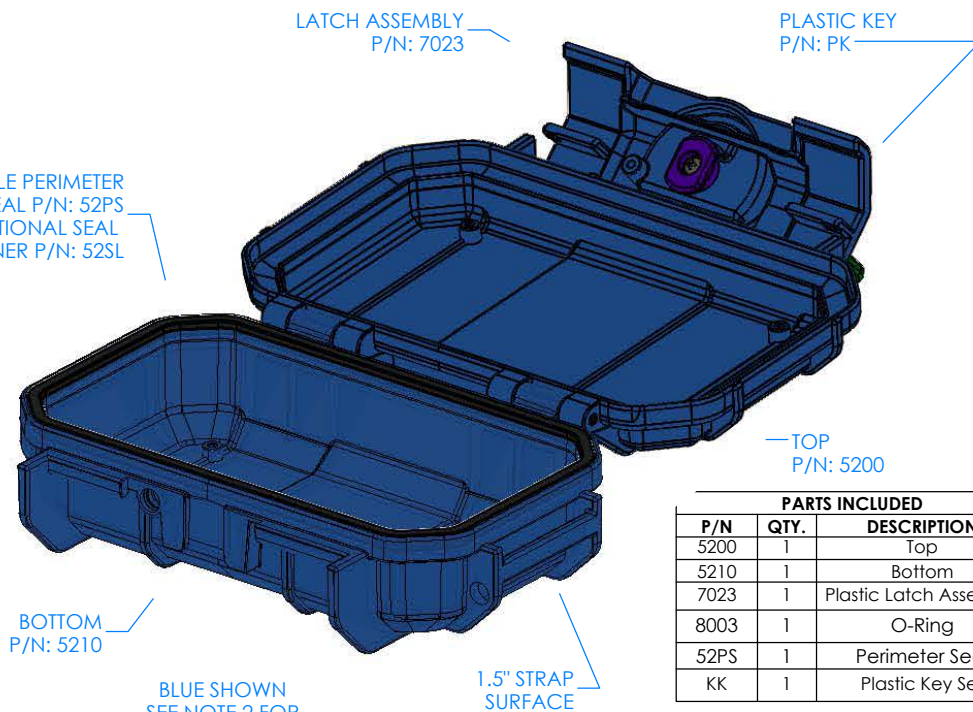
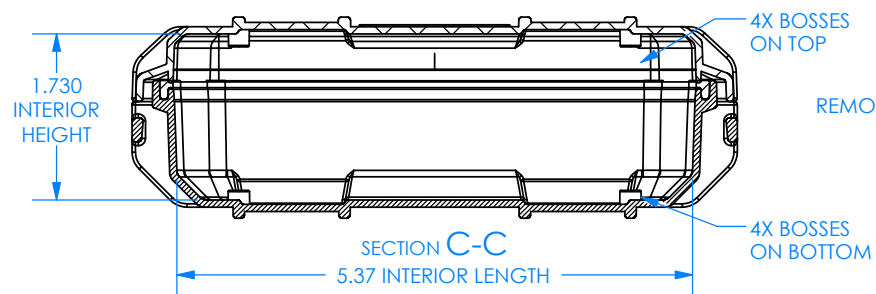
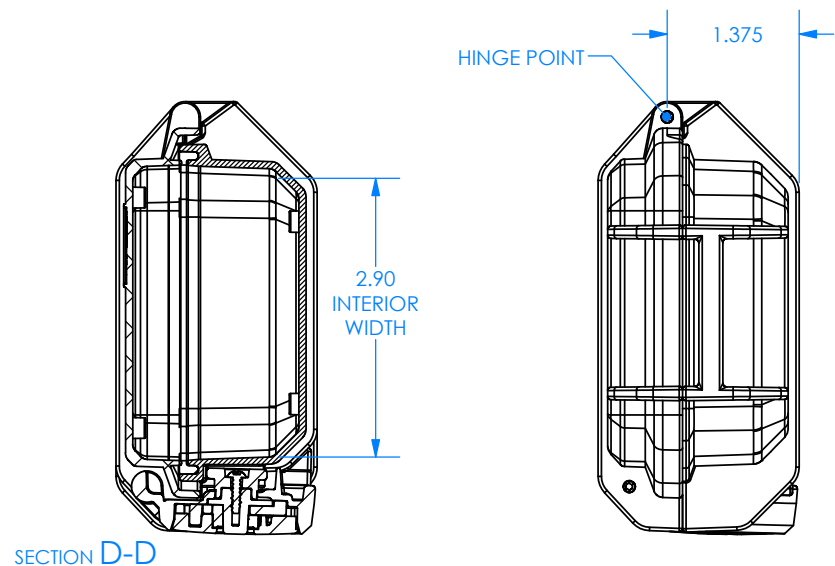
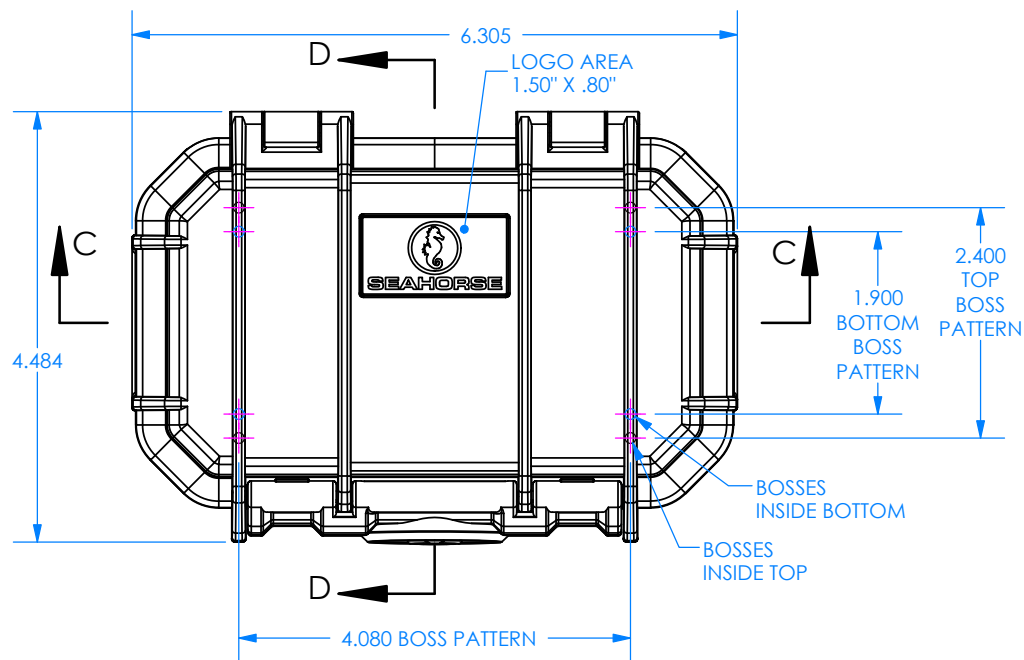


520EM Micro Case



- NOTES:**
- 1) Material: Polycarbonate
 - 2) Colors available: Black, orange, blue, red, green, yellow and clear.
 - 3) Maximum usable inside dimensions are: 5.37" X 2.90" X 1.73"

PARTS INCLUDED		
P/N	QTY.	DESCRIPTION
5200	1	Top
5210	1	Bottom
7023	1	Plastic Latch Assembly
8003	1	O-Ring
52PS	1	Perimeter Seal
KK	1	Plastic Key Set