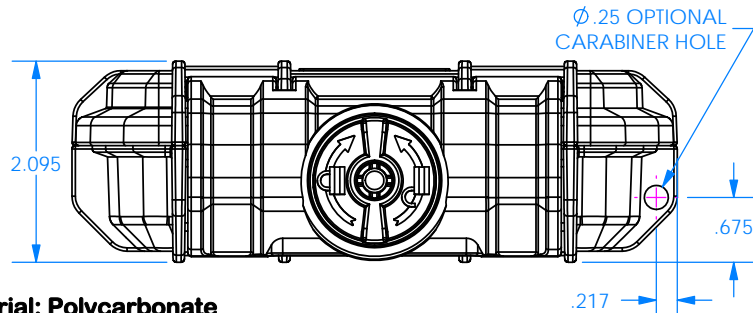
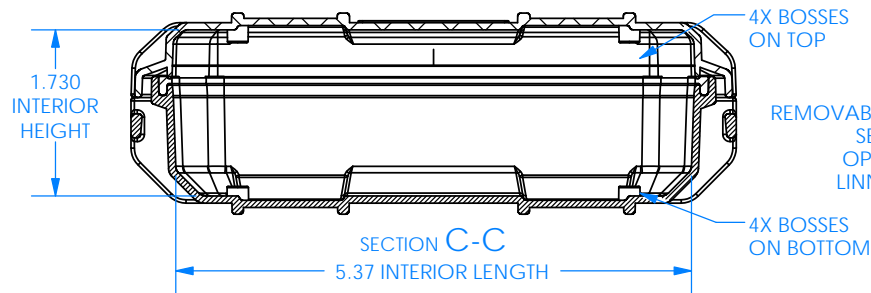
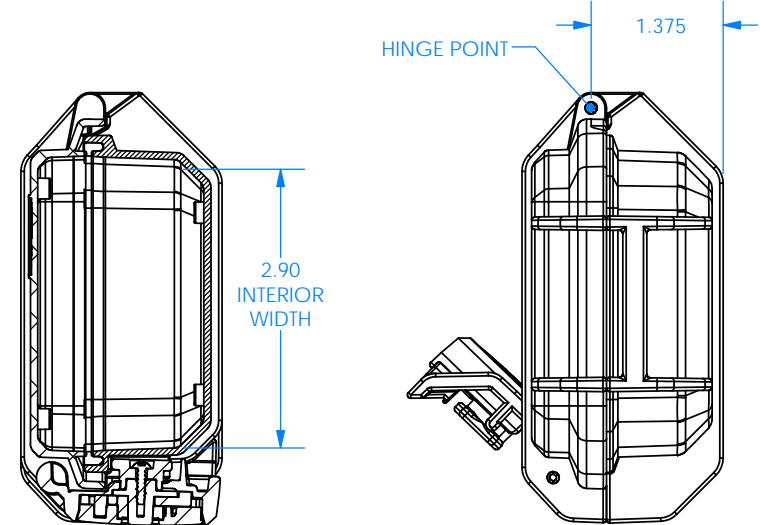
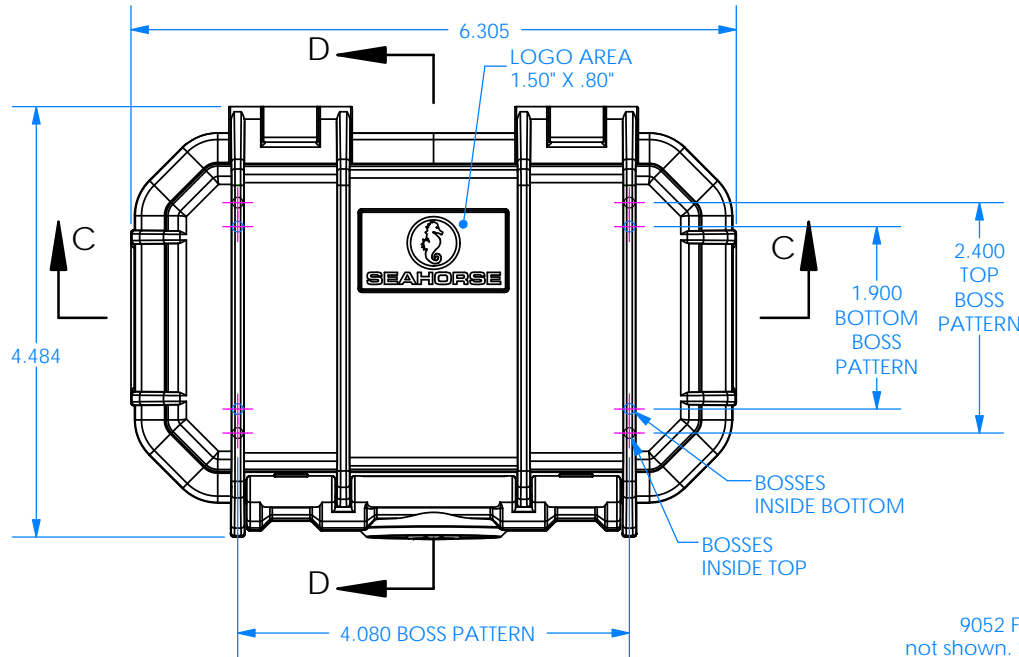
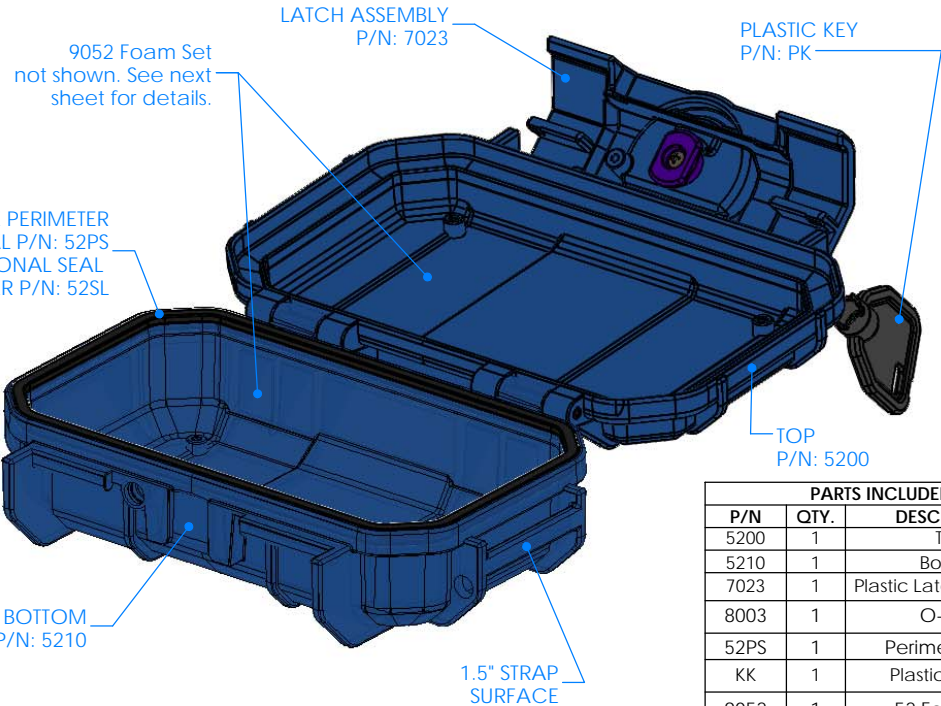


52F Micro Case



SECTION D-D



PARTS INCLUDED		
P/N	QTY.	DESCRIPTION
5200	1	Top
5210	1	Bottom
7023	1	Plastic Latch Assembly
8003	1	O-Ring
52PS	1	Perimeter Seal
KK	1	Plastic Key Set
9052	1	52 Foam Set

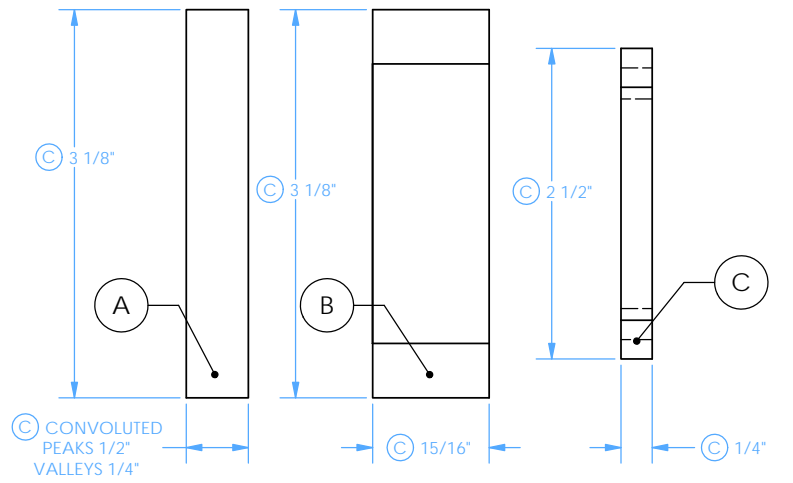
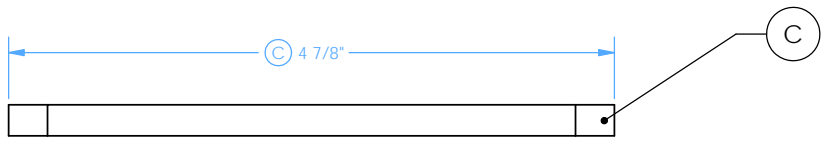
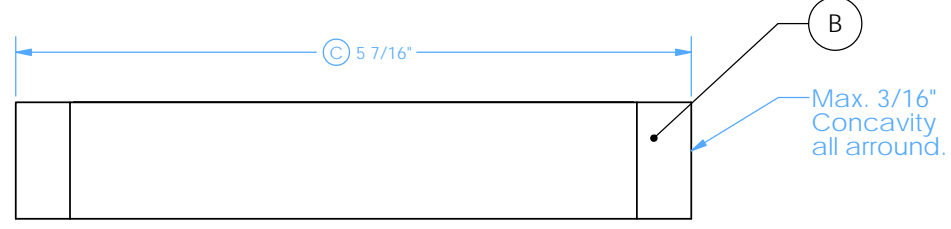
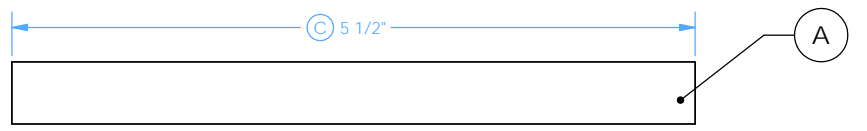
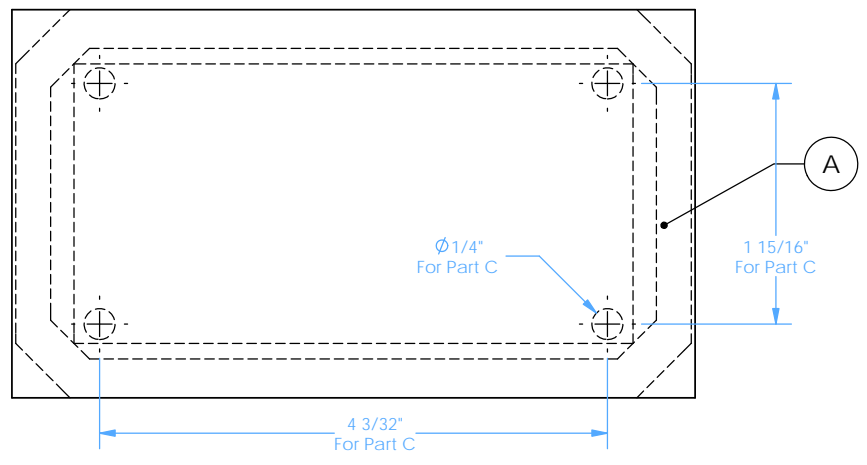
NOTES:

- 1) Material: Polycarbonate
- 2) Colors available: Black, orange, blue, red, green, yellow and clear.
- 3) Maximum usable inside dimensions are: 5.37" X 2.90" X 1.73"

BLUE SHOWN
SEE NOTE 2 FOR
COLORS AVAILABLE

THE INFORMATION CONTAINED IN THIS DRAWING IS THE SOLE PROPERTY OF SEAHORSE. ANY REPRODUCTION IN PART OR WHOLE WITHOUT THE WRITTEN PERMISSION OF SEAHORSE IS PROHIBITED.

No.	Revision	Date
A	NEW PART	5/30/18



- © Notes:
- Part -A is convoluted. Dimensions denote the peaks and valleys.
 - Part -B is die cut to 1/4" ± 1/16" squares. Matrix must be centered. One side must have 100% visible die cuts. The opposite side must have a minimum of 50% visible die cuts.
 - Maximum kerf allowed. See dimension on part view.
 - Measure overall dimensions at the top end of part. (opposite to the kerf)
 - Part -C is a flat piece of foam.
 - Color Pantone 425 C.
 - © denotes critical to function.
 - No pea holes larger than 1/8" diameter allowed.
 - © Material: R#4232 1.4 CHAR ELE
Density lb/ft³ min 1.25
Supplier must provide material certification with each shipment.

UNLESS OTHERWISE SPECIFIED DIMENSIONS ARE IN INCHES. TOLERANCES ARE: FRACTIONS DECIMALS ANGLES ± 1/8" .XX .XXX ± 1/2" ± .01 ± .005	CAD GENERATED DRAWING. DO NOT MANUALLY UPDATE		 <small>COVINA, CA 91723 SEAHORSE.NET PH:(888) 239-6673</small>
	APPROVALS	DATE	
MATERIAL see notes	CHECKED GB	DATE 7/20/18	DESCRIPTION 52 FOAM SET
DO NOT SCALE DRAWING	Detail No.	SCALE 1:1	CAD FILE: SHEET 1 OF 1