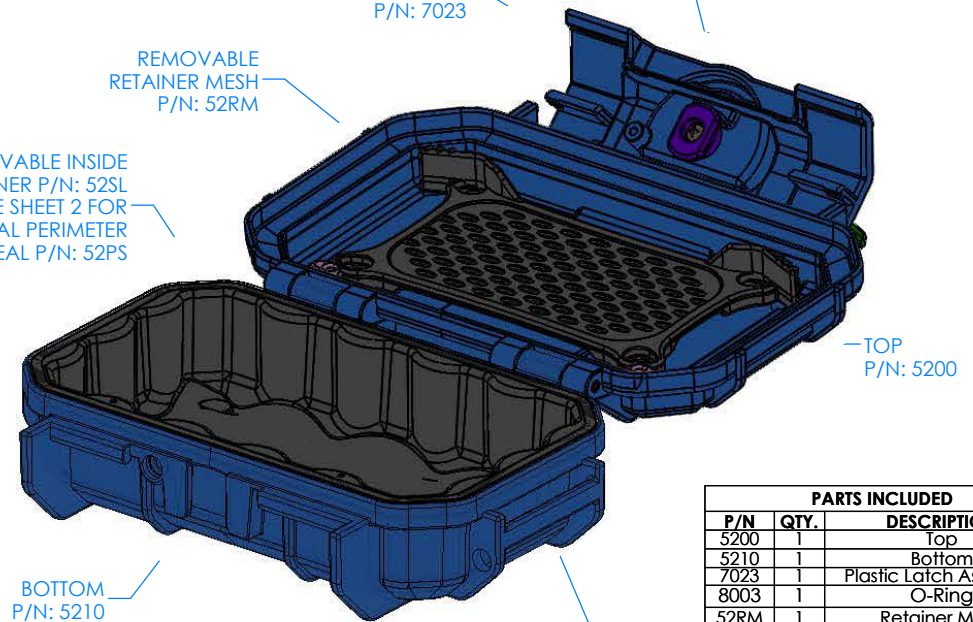
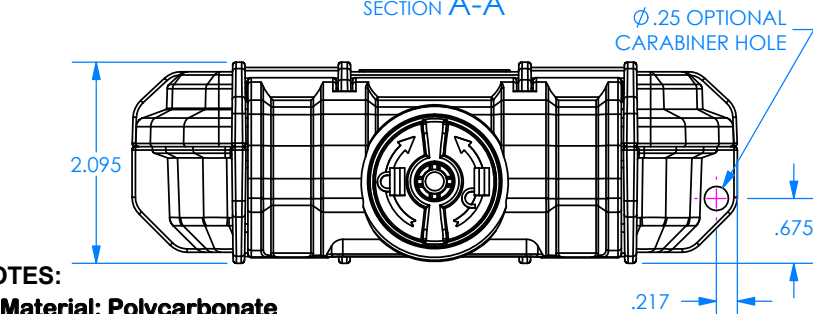
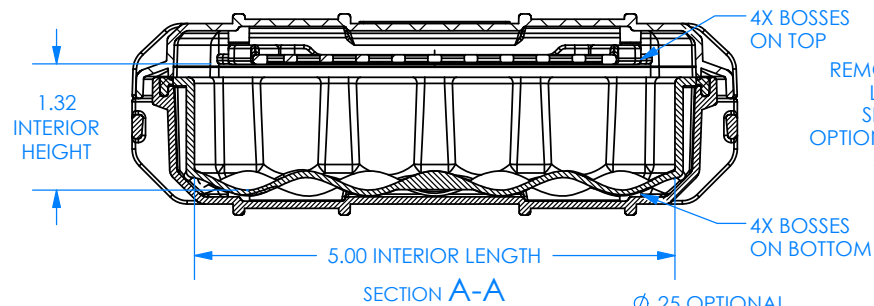
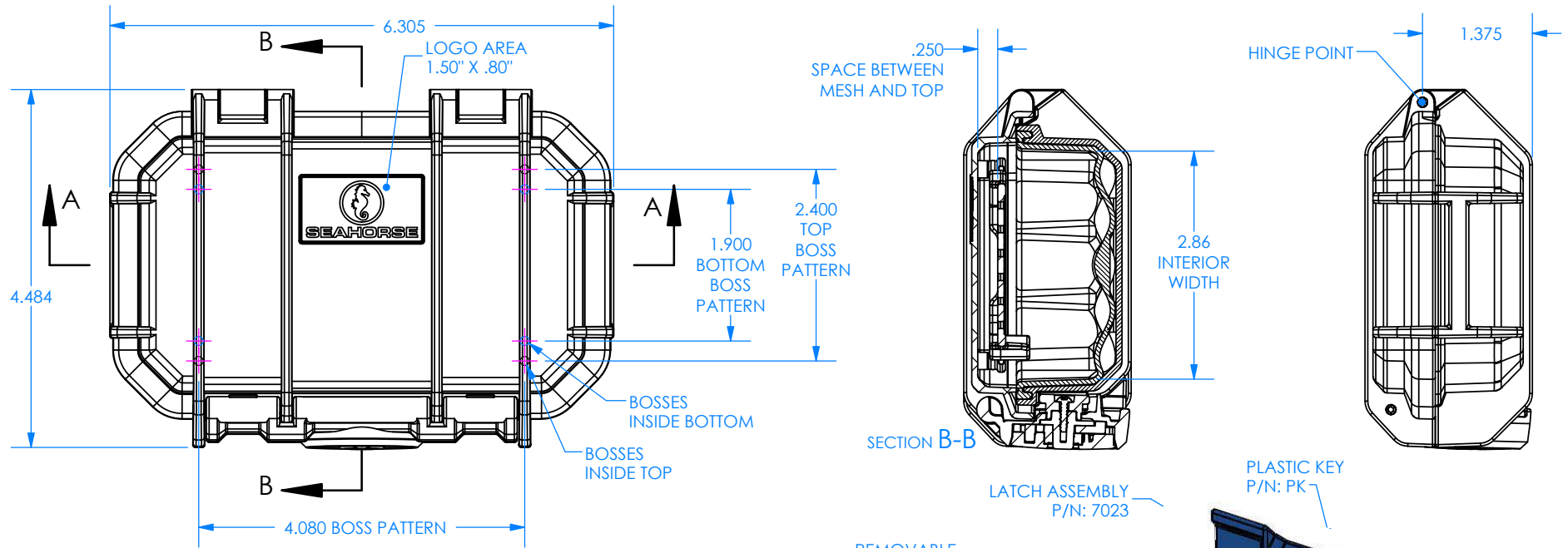


52 Micro Case



NOTES:

- 1) Material: Polycarbonate
- 2) Colors available: Black, orange, blue, red, green, yellow and clear.
- 3) Maximum usable inside dimensions are: 5.00" X 2.86" X 1.51"

BLUE SHOWN
SEE NOTE 2 FOR
COLORS AVAILABLE

PARTS INCLUDED		
P/N	QTY.	DESCRIPTION
5200	1	Top
5210	1	Bottom
7023	1	Plastic Latch Assembly
8003	1	O-Ring
52RM	1	Retainer Mesh
5506	4	Boss Cap
6002	4	#2 X 3/8" Screw
52SL	1	Inside Seal Liner
KK	1	Plastic Key Set

3/6/18