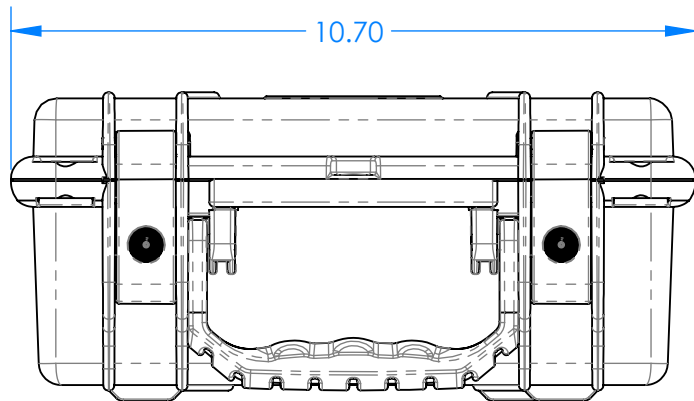
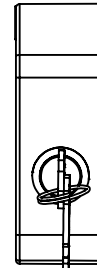


SECTION A-A



Latch with Plastic Lock

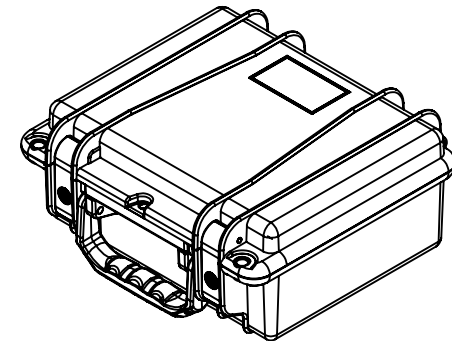
Latch with Metal Lock



PLL

MLL

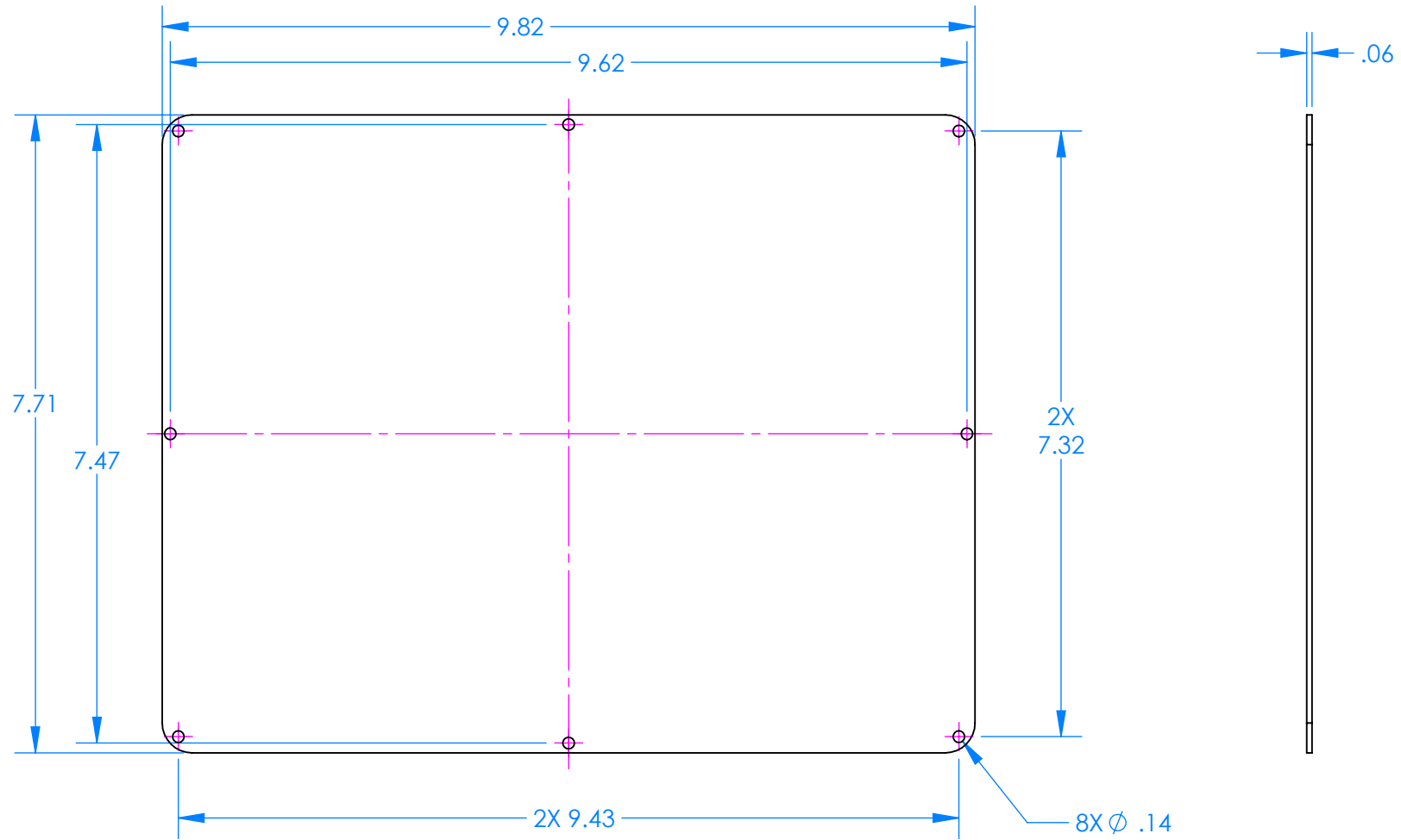
Optional latches must be specified at time of order. See note 2



**NOTES:**

- 1) Max. usable inside dimensions are: 9.25" X 7.10" X 4.10"
- 2) With Metal Lock Latches p/n 300ML and Plastic Lock Latches p/n 300PL are optional.

# 7351 Top Panel for 300



# 7352 Bottom Panel for 300

